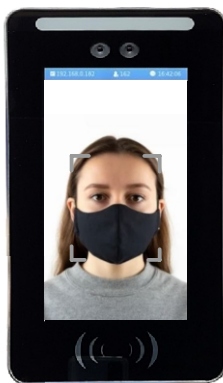


P57 is a face recognition based time attendance and access control terminal with deep learning algorithm. It uses an industrial-grade (IP 65) embedded Neural network computing processor, which can quickly recognise live Faces from the local database.

It support 50,000 faces with super high recognition accuracy with face recognition speed 0.1 Sec, and the recognition accuracy rate ≥99%. It has reliable local recognition & supports Mask Detection & binocular liveness detection. It supports attendance recording & access control system. It adopts the full HD WDR, the SONY color camera which can easily cope with the backlit dark and bright environment.

P57 is a wall-mounted face recognition all-in-one terminal with the best cost to performance ratio & is highly recommended for industries. It also supports turnstile mounting clamp.

P57



P57A



Features :

- ▶ 7-inch display screen face recognition and access control device
- ▶ 50,000 face Users in 1:N mode
- ▶ 100,000 Attendance Transaction Records
- ▶ Support offline local face recognition and binocular liveness detection
- ▶ Support Face Mask detection, Safety helmet detection, and Live body detection
- ▶ Face recognition Speed ≤0.1 Sec., recognition accuracy rate ≥99%;
- ▶ Support time attendance function
- ▶ Support access control Locks like EM Locks, Drop Bolt, Auto doors etc.
- ▶ Support Weigand Input and Output
- ▶ Size : 231 (H)*129 (W)*25 mm
- ▶ Compatible with OTG HR (Attendance Management App on Cloud)

TECHNICAL DATA SHEET

Basic parameters		Snapshots	
Processor	Dual ARM Cortex-A53 @ 1Ghz	Image Format	JPEG encoding
Display	7inch HD display, Resolution : 600 X1024	Snapshot	Panorama, local close-up
Sensor	SONY 1/2.8" CMOS	Picture size	1920*1080
Minimum illumination	0.01Lux@(F1.2,AGC ON)	Smart features	
Shutter	1/25s~1/10000s	Recognition mode	Offline dynamic face recognition
Camera	6mm fixed lenses+6mm IR lens	Recognition Type	1:N
WDR	Support	Live body detection	Support
Digital noise reduction	Self-regulating	Face library	50000 faces
BLC	Support	Records	Characteristics : 100000, Panorama : 30000
Voice broadcast	Support TTS voice broadcast customization	Recognition speed	≤ 0.1 Sec.
Coding standard		Recognition distance	0.5m - 2m
Video standard	H.264	Face library download	Single picture, batch pictures, platform issued, card issued (optional)
Code rate	1024Kbps~4Mbps	Management type	blacklist, white list, temporary users
Video		Output mode	Wiegand 26/34/66, relay
Encoding format	H.264	Secondary development	Support,multi platform (Windows,Linux,ARM)
Video size	720P (1280*720)	Free SDK	Multi language (JAVA,C#,C++)
Frame rate	25fps	Network	
Video overlay	Time, points	Supported protocol	ONVIF, TCP/IP, HTTP, FTP, Rs485, Wiegand, DNS, NTP, MQTT, WEBSOKET
Video setting	Exposure (shutter), gain, contrast, saturation, adjustable brightness, face exposure compensation	General functions	Heartbeat, password protection, NTP

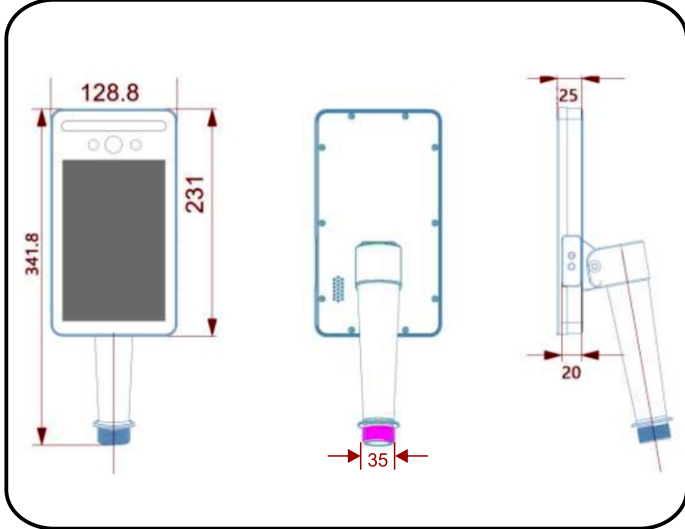
Interfaces	RS485 interface	1 way 485 interface	
Communication interface	1 way RJ45 10M/100M adaptive Ethernet port	Other parameters	
Relay interface	1 way relay output	Power	DC 12V/2A
Wiegand interface	1 way Wiegand (output & input)	Operating Environment	-()20°C~(+)70°C, RH <95% (no condensing)
USB port	1 way USB	Parts List	Main product, power supply, manual, wall bracket, expansion screw

OPTIONS FOR THE MODEL		
Options	Functions	Specifications
4G	4G communication	All network
Card	Card swiping access(IC+ID)	IC+ID
Built-in NFC	Card, mobile phone swiping pass	NFC compliant cards, equipment
WIFI	WIFI	IEEE 802.11 b/g/n
Advertisement playback	Video/photo slide show	1024*600 or pictures of same proportion

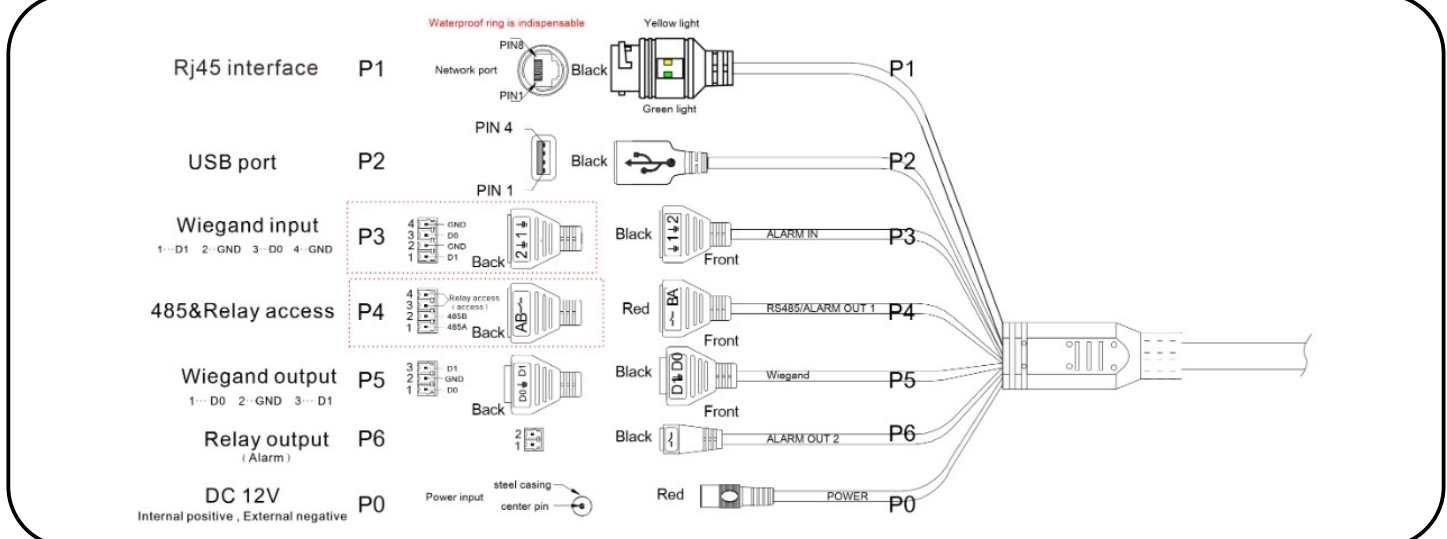
Description of appearance



Graphical data



Tail cable



Ordering Information

- **P57** : 7" Wall mounting Face Attendance Device
- **P57A** : 7" Turnstile mounting Face Attendance Device
- **Smart Face** : Web Based Communication Server for Face & Finger Terminal, Template & Data Management with Push Technology over MQTT

Options

- **OPT 01** : Built in 4G Interface
- **OPT 03** : Built in ID+IC Reader
- **OPT 05** : Built in Wifi
- **OPT 06** : External Battery Back-up (2Hrs)
- **OPT 07** : SS Protection panel & acceptance LED

